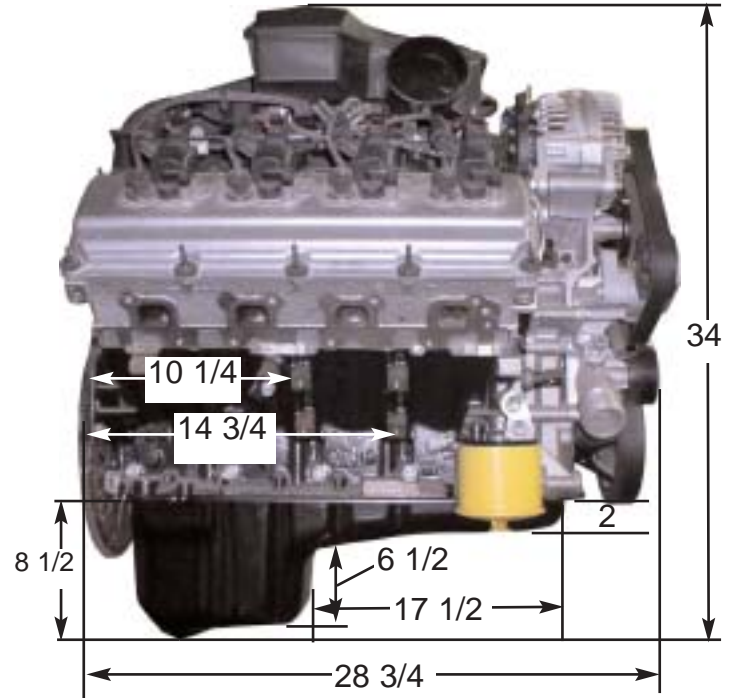
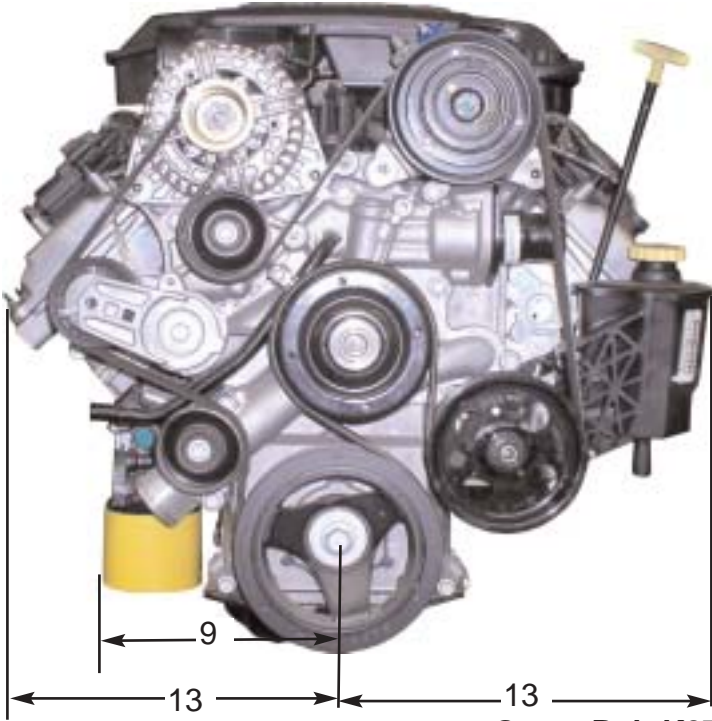




Street & Performance

479-394-5711 www.hotrodlane.cc

5.7 HEMI Engine and Transmission Measurements Factory Bracket Configuration

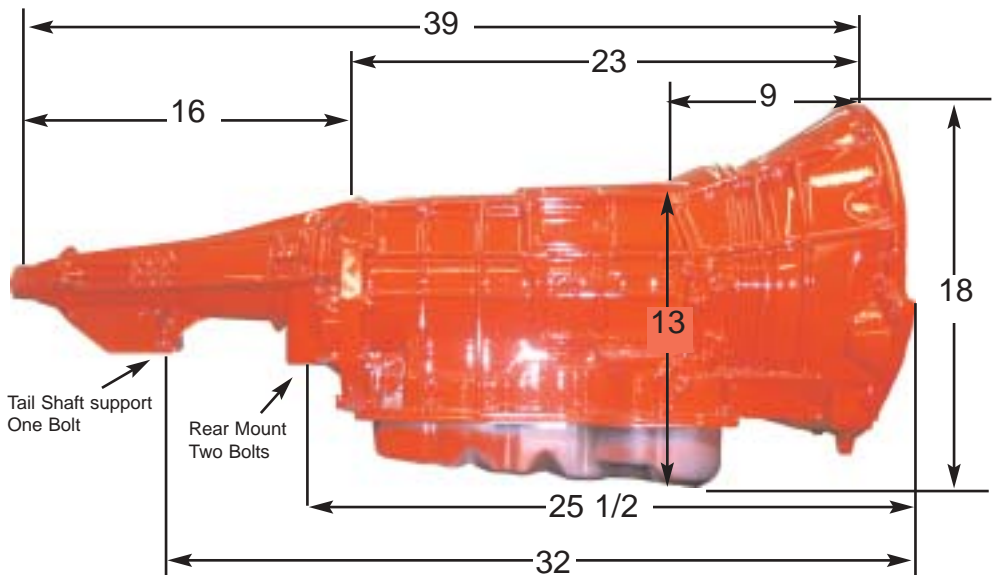
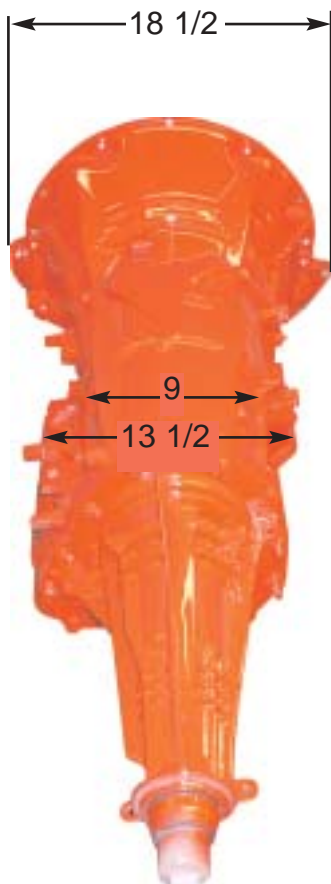


Gates Belt K071013

101 15/16 Inches - 2590 MM

S&P RECOMMENDS THE USE OF GOODYEAR, DAYCO OR KELLY BELTS

Street & Performance Recommends the use of 3.90 rear gears with this transmission.



Now Street Rod, Wide Style Bracket, Pulley and P/S Kits available for 5.7 Hemi, 426 Hemi, 426 Wedge, 440, 413, 383, 360, 340, and 318.