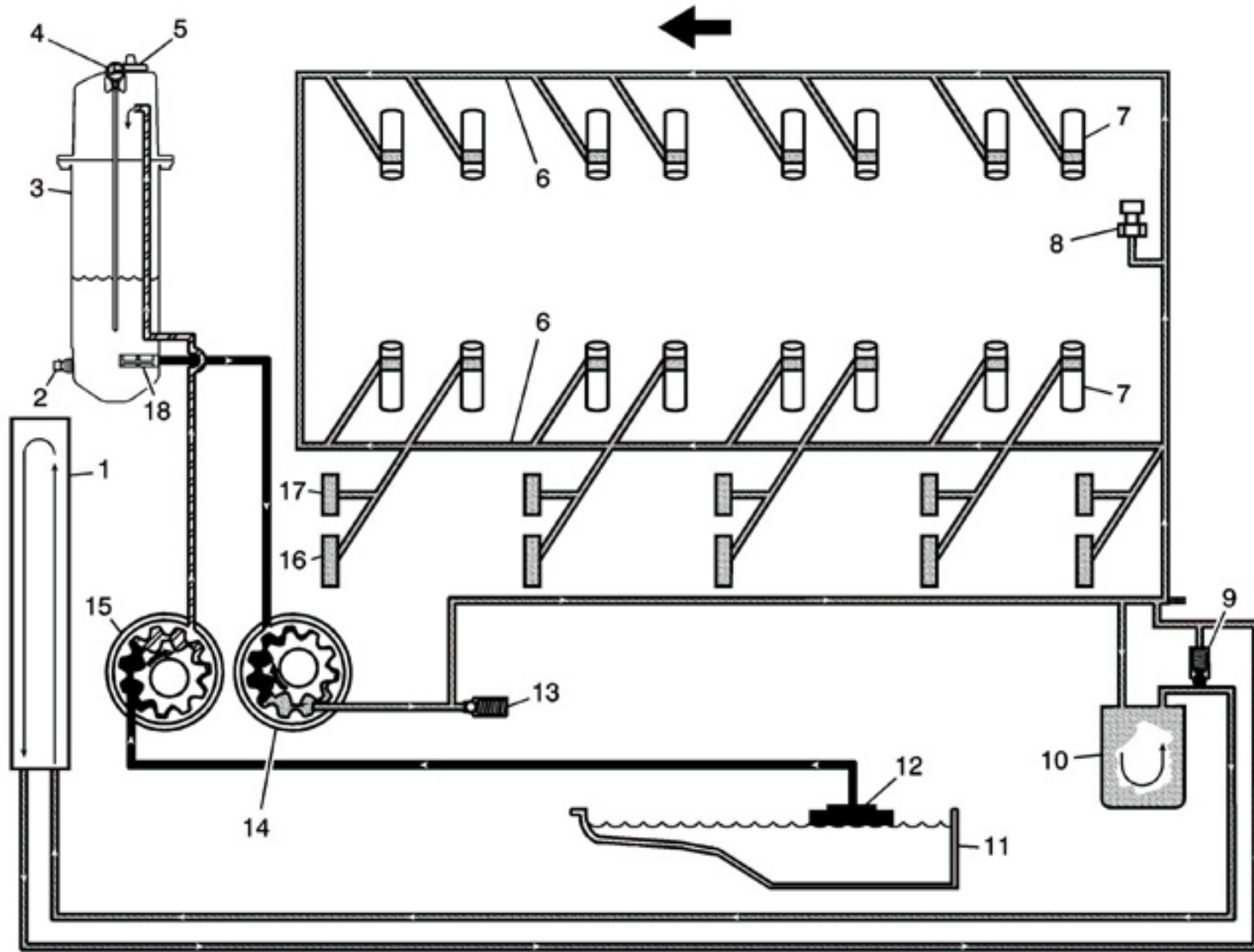


# Lubrication Description

FIGURE Engine Lubrication Flow(c)



- Main Pressure
- Suction
- Return To Oil Tank